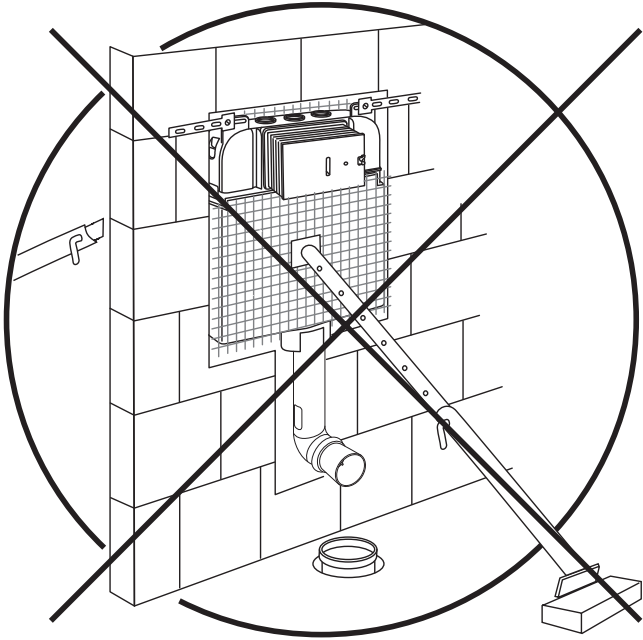
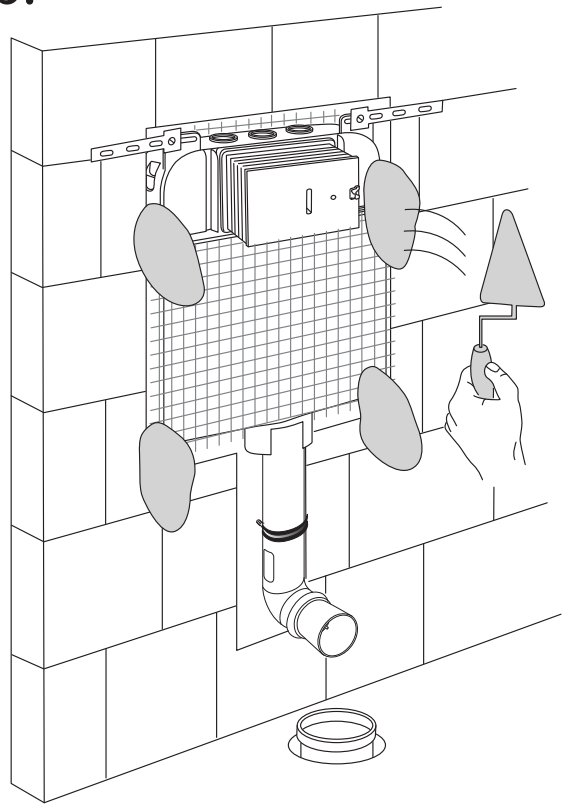


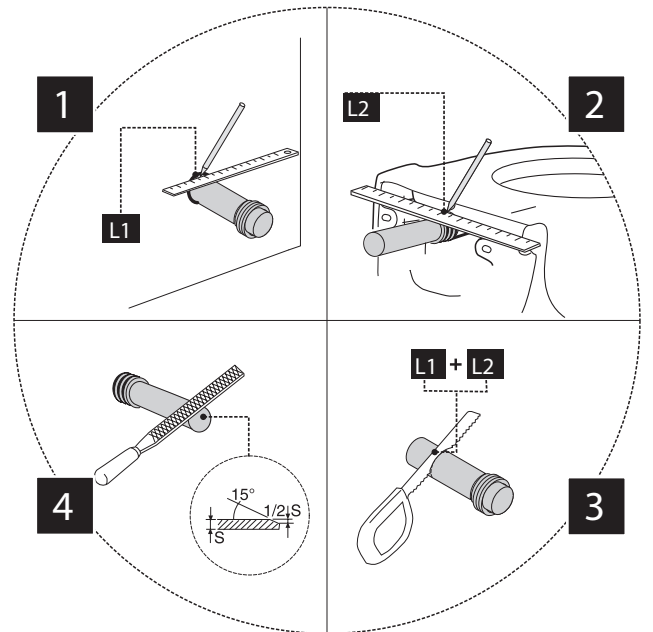
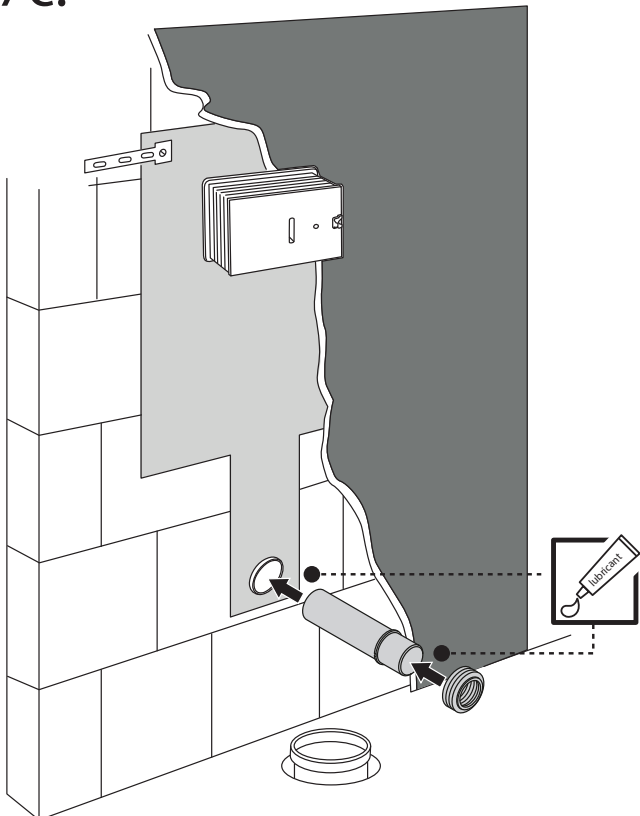
i



7b.

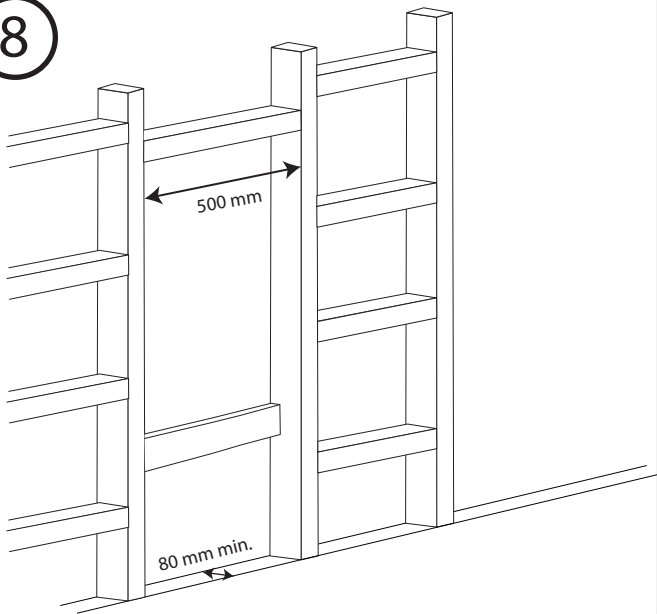


7c.

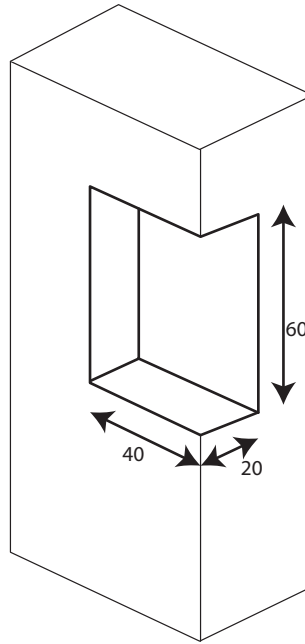


FOR TIMBER/STUD WALL INSTALLATIONS

8

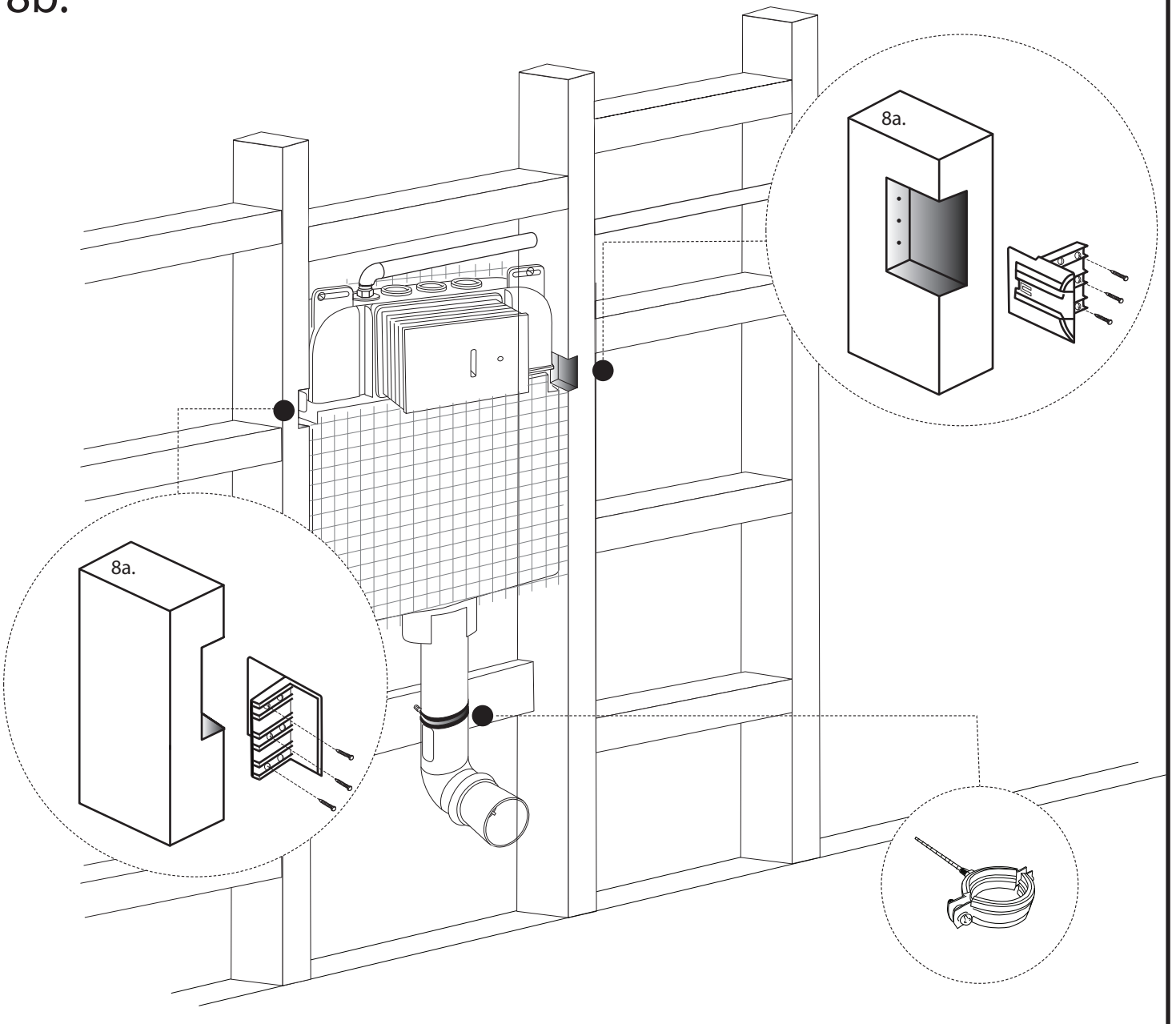


8a.



x2

8b.



8c.

