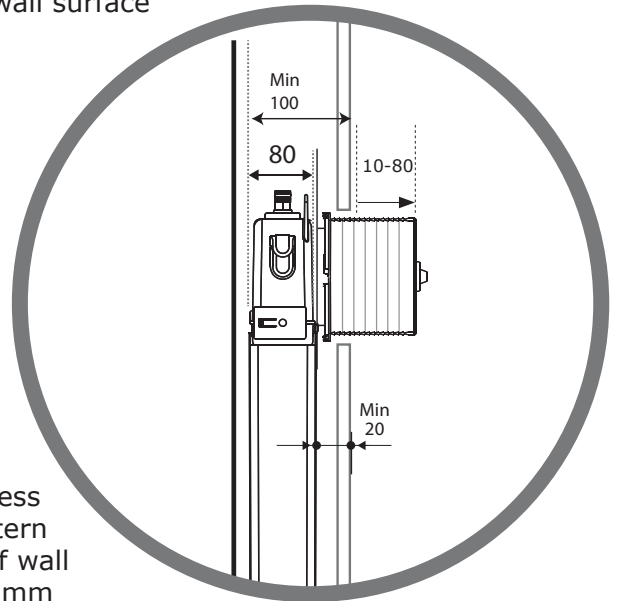




Minimum of 100mm from rear of cistern to front edge of finished wall surface

Min. projection of 10mm - Max. projection of 80mm of tile flange box required prior to trimming to accommodate actuator.



**NOTE**  
See next page for compatible actuators

Minimum thickness from front of cistern to the front face of wall to be at least 20mm

## Oli-74 IN-WALL CISTERN

### STYLE

In Wall Cistern

### CODE

601602/MC  
(if used with mechanical actuators)

601602/PN  
(if used with pneumatic actuators)

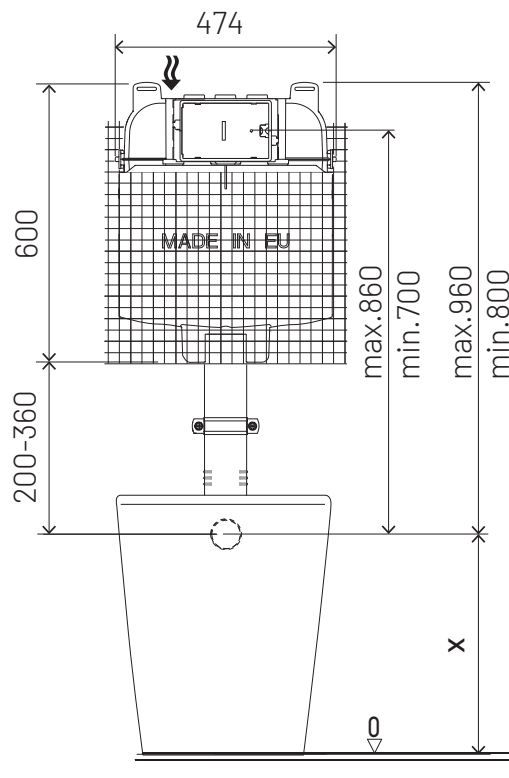
### WEIGHT

3.5 kg

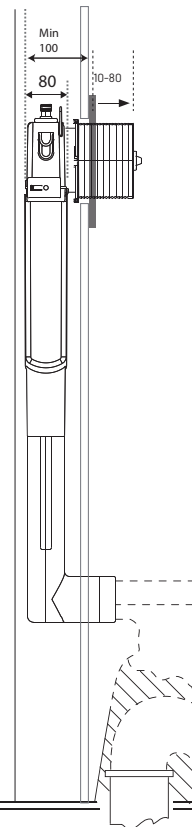
### FEATURES

- Front access only
- Dual flush in-wall cistern with 4.5/3 litre flush
- 80mm min. wall cavity requirement
- 10 Year Warranty
- Manufactured in Europe
- Mechanical actuator kit included

Front View



Side View



### WELS RATING



# COMPATIBLE ACTUATORS

## Oli 74

IN-WALL CISTERN

### Cistern Code by Actuator



GLAM

601602/MC



GLOBE

601602/MC



OCEANIA

601602/MC



OCEANIA MIA

601602/MC



PLAIN

601602/MC



SLIM

601602/MC



BLINK

601602/PN



TREND

601602/PN



SPHERA +

601602/PN



SPHERA -

601602/PN



KARISMA

601602/PN