

# MIXXX

tapware & accessories

## SAGE COLLECTION

**Item Code:** 11SL962C

**WELS Rating:** N/A

**Flow Rate (L/Min):** N/A

**Cartridge:** 25mm European  
Ceramic Disc

**Pressure Rating:** 1500kPa

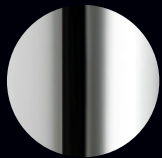
**Operating Temp:** 1-80°C

**Finish:** Electroplated Chrome

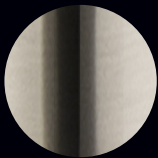
**Warranty:** 20 Years



### Available Finishes



Chrome



Brushed  
Nickel

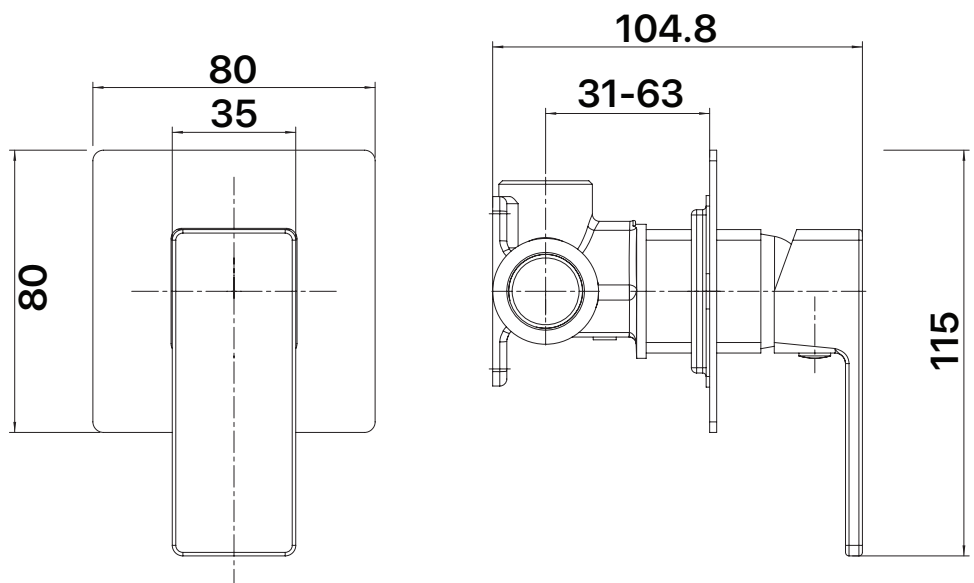


Gun Metal



Matt Black

## Sage Shower Mixer



A BRAND BY  
**BRASSHARDS**  
— GROUP —

[www.mixxtapware.com.au](http://www.mixxtapware.com.au) | [info@mixxtapware.com.au](mailto:info@mixxtapware.com.au)