

OXFORD

BACK-TO-WALL FREESTANDING BATH - Premium Sanitary Grade Acrylic, High Gloss White

The Oxford's beautiful sloped ends, generous bath rim & tapered base creates a luxurious look, that will stand the test of time.
Centre waste position.

✓ Adjustable self-supporting feet

✓ Lumbar support

✓ Suitable for dual bathing

✓ Full steel support frame



SIZE (l x (w) x (d) mm	CAPACITY*	NET WEIGHT	CODE
1700 x 800 x 600	174L	50kg	OX1700W



- 10 YR WARRANTY*
- AS/NZ Standard 2023/1995

OXFORD ACCESSORIES

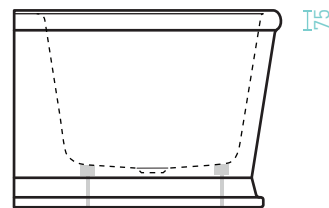
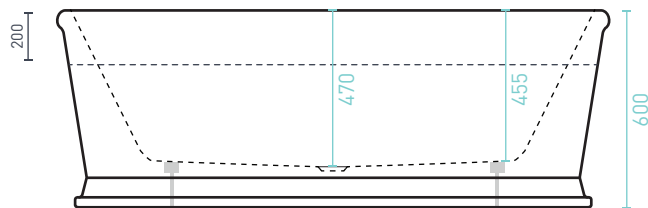
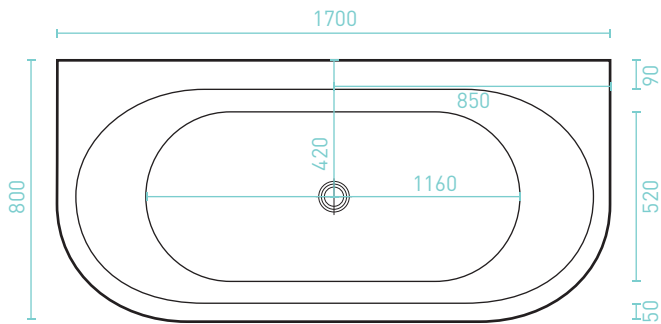
OPTIONAL

Pop-Up Plug & Waste

WA001

Overflow

This optional feature must be requested upon ordering this bath



*Capacity 200mm below the bath rim

DECINA
DISCOVER INDULGENCE

DECINA.COM.AU 1300 DECINA



*Warranty T&Cs apply, visit decina.com.au Decina reserves the right to change specifications without notice. Due to manufacturing tolerances dimensions may vary +/- 5mm. We recommend installation does not start until after delivery. Please confirm all particulars prior to purchase, call 1300 DECINA or visit decina.com.au