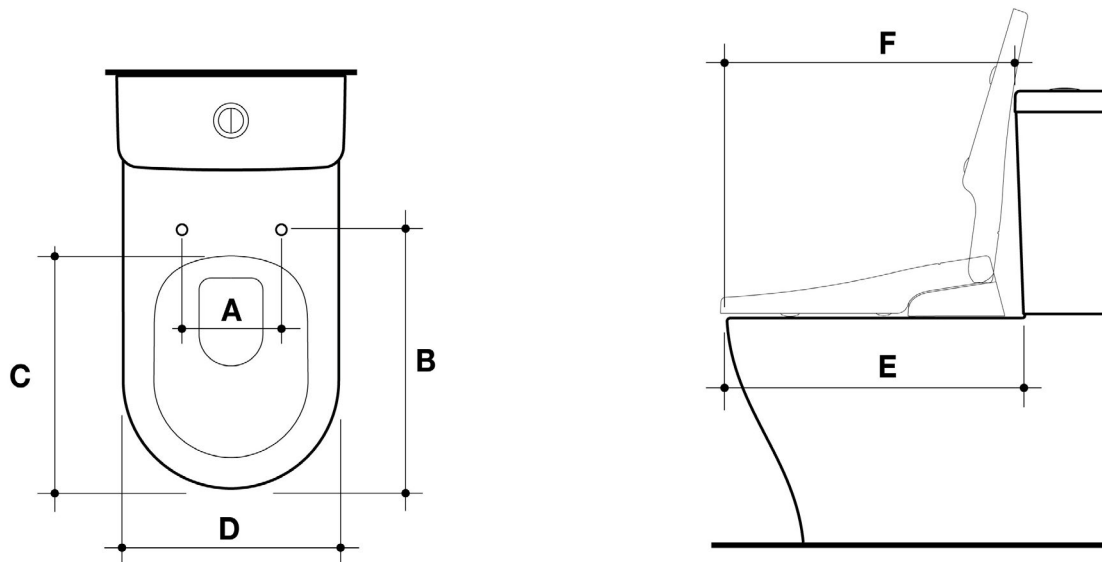


LiveWell Electronic Bidet Seat

Compatibility List



Measuring guide for existing toilet pan and suite applications (including non-Caroma pans) SKU code 300070W



A Between 136 - 185mm
B Between 403 - 464mm

C 350mm minimum
D Between 350 - 370mm

E Minimum 505mm
F Minimum 470mm

Compatible

846205W	Elvire CF WF CC Pan	829605W	Dorado WF CC 4S Pan + Unicon
844705W	Luna CF CC S Pan	846310W	Elvire Cleanflush WF BI Invisi 2 4S Suite
847905W	Elvire CF WH Pan	846210W	Elvire Cleanflush WF CC 4S BE Suite
604500W	Metro WH Pan	844710W	Luna Cleanflush CC 4S S Trap BI Suite
843505W	Liano CF EH WF BI Pan	847910W	Elvire CF Wall Hung Invisi2 4S Suite ID IC IW
604605W	Metro WF BI Pan	731100W	Metro WH Invisi 2 4S Suite U/Counter
766100W	Liano Invisi Wall Faced BI Suite	829505W	Liano CF WF BI Pan (with GermGard®)
604705W	Metro WF CC 4S Pan	604605WSMO1	Metro WF BI 4S Pan SMO+35MM Cove
815321W	Liano Cleanflush® Wall Hung Pan (GermGard®)	815320W	Liano CF WH Pan
843245W	Urbane II CF WF BI Pan (GermGard®)	604705WSMO1	Metro WF CC 4S Pan+35MM Cove
839905W	Liano EH WF BI Pan	766910W	Liano CF WH Invisi Suite+Liano SC Seat (GermGard®)
839205W	Urbane WF BI 4S Pan Uniorb	746270W	Urbane II CF Invisi2 WF 4S Suite+Liano SC Seat
815280W	Liano II WH BI 4S Pan	838805W	Liano WF BI 4S Pan
615270W	Urbane WH Pan	742500W	Urbane WF Inv 4S BI+Arc SC Seat
829705W	Luna WF CC Pan	766700W	Liano Invisi WH 4S Suite IW ID IC+Liano SC
843207W	Forma CF WF BI Pan	740500W	Urbane WH Invisi II 4S Suite+Arc Seat
CL30009.W4S	Clark Round TW CC 4S BI Suite	844905W	Luna CF WF BI Pan
814149B	School Smart CF WF BI Invisi II Suite (GermGard®)	843235W	Forma CF Invisi WF BI Arc SC Suite
844805W	Luna CF WF CC Pan	CL30001.W4S	Clark Rnd R/Less BTW CC Pan
814147B	School Smart CF WF CC BE Suite (GermGard®)	CL30015.W4S	Alto II BTW CC Pan + Uniorb (NZ)
844755W	Luna CF CC P Pan	843135W	Forma CF WF CC BE/BI Pans
844720W	Luna Cleanflush CC 4S P Trap BI Suite	843125W	Forma CF WF CC BE/BI Pans

Fit varies slightly

843605W	Care 800 CF WF BI Pan	847305W	Coolibah Sculptural CF WF CC Pan
977770SC	Profile Skew CC LH Suite SC	E45000W	Emerald CC 4S SNV Pan
843705W	Care 800 CF WF CC Pan	PRI400SC	Prima II CC 4S SNV Suite SC
912315W	Profile CC S RH Suite White	E45001W	Emerald CC 4S PNV Pan
618505W	Care 800 WF BI Pan	912355SC	Profile II 4S CC PNV Suite SC
601970W	Flex WF BI 4S Pan	W45102CW	Venecia/Marano CC Pans
989150SC	Cameo CC 4S BI SNV Suite SC White	W45100SC	Venecia WFCC Suite SC Seat
609450W	Caravelle CC P Pan	847150W	Care 610 CF Conn P Pan
609715W	Caravelle EH CC S Pan	982941AG	Care 610 CF Conn 4S P Suite+Caravelle SF Seat
987410ARAG	Caravelle Support Suite Sngl/Flap Seat w/ Armrests	847000W	Care 610 CF Conn S Pan
PRI401SC	Prima II CC SNV Suite SC	982931AG	Care 610 CF Conn 4S S Suite+Caravelle SF Seat
977775SC	Profile Skew CC RH Suite SC	W45305CW	Venecia Linked 4S SNV Pan C/WH
842800W	Profile CC 4S RNV Pan	609810W	Base 4S Link P Pan
842900W	Profile CC 4S LNV Pan	609800W	Base 4S Link S Pan
718300AG	Care 800 CF Invisi2 4S Suite Sngl/Flap Seat	609400W	Caravelle CC S Pan
837900W	Mirage CC 4S SNV Pan	834300W	Concorde Conc 4S SNV Pan
843705WSMO	Care 800 CF WF CC 4S Pan+15mm Cove	834350W	Concorde Conc 4S PNV Pan
837950W	Mirage CC 4S PNV Pan	834400W	Cosmo Care BI 4S SNV Pan
618506W	Care 800 WF BI 4S Pan+Uni V2 35mm Cove	606310W	Trident Care BI 4S SNV Pan
618615W	Care 800 WF CC Pan	606400W	Trident BI 4S SNV Pan
618616WSMO2	Care 800 WF CC 4S Pan+15mm Cove	606401W	Trident BI 4S SNV Box Rim Pan
611300W	Leda WF CC Pan	606450W	Trident BI 4S PNV Pan
611301WSMO	Leda 2000 WF CC Pan+Unicon+35MM Cove	710100W	Flex WF BI Invisi 2 Suite IW ID IC

Does not fit

838705W	Liano WF CC Pan	618410W	Leda 2000 WF BI Pan
846905W	Care 660 CF WF CC EH Pan	618335W	Leda Care WF BI
601201W	Concorde BI 4S SNV Pan	843305W	Liano CF EH WF CC Pan
601202W	Concorde BI 4S SLV Pan	848405W	Liano CF WF CC Pan (GermGard*)
601251W	Concorde BI 4S PNV Pan	843905W	Liano Junior CF WF CC 4S Pan
601313W	Concorde BI 3S LNV Pan	844005W	Liano Junior CF WF BI 4S Pan
601317W	Concorde BI 3S RNV Pan	846405W	Luna Square CF WF CC Pan
614401W	Concorde Care BI 4S SNV Pan	829805W	Morgana WF CC Pan
614451W	Concorde Care BI 4S PNV Pan	672505W	Opal II WF CC 4S PAN
839405W	Contura WF BI 4S Pan	843145W	Urbane II CF WF CC BE/BI Pan (GermGard*)
834450W	Cosmo Care BI 4S PNV Pan	843155W	Urbane II CF WF CC BE/BI Pan (GermGard*)
604300W	Cube WH BI 4S Pan	839100W	Urbane Compact WF BI Pan
824605W	Caroma Cube WF CC 4S Pan	839305W	Urbane WF CC BE Pans
824705W	Caroma Cube WF BI 4S Pan	839315W	Urbane WF CC BE/BI Pans